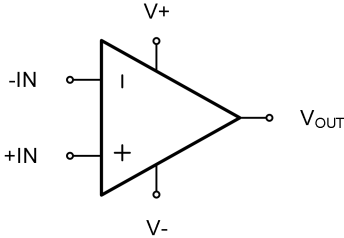


GT8391 GT8392 GT8394

Low-Voltage, Low-Power, Rail-to-Rail I/O CMOS Op Amps

1 Features	2 Application
<ul style="list-style-type: none"> - High gain bandwidth: 29 MHz - Rail-to-rail input and output - Low supply current: 1.8 mA/amplifier at 5 V - Input voltage range: -0.1 V to +5.6 V with $V_S=5.5$ V - Supply range: +2.2 V to +5.5 V - Operation temperature range: -40°C to +125°C 	<ul style="list-style-type: none"> - Sensors - Photodiode amplification - Active filters - Test equipment - Driving A/D converters

3 Description	Circuit Diagram
<p>The GT839X families of products are low-voltage low-power operational amplifiers that can be designed into a wide range of applications. The GT839X have a unity-gain bandwidth of 29MHz, a slew rate of 12V/μs, and a quiescent current of 1.8mA/amplifier at 5V.</p> <p>The GT839X families of products are designed to provide optimal performance in low-voltage systems. They provide rail-to-rail output swing into heavy loads. The input common-mode voltage range includes ground, and the maximum input offset voltage are 2mV (over recommended temperature range) for the devices. Their capacitive load capability is also good at low supply voltages. The operating range is from 2.2V to 5.5V.</p>	

4 Revision History

Revision	Date	Note
Rev. A0.1	2025. 01. 14	Original Version

The latest datasheet version should be checked on the GTIC official website, as the company does not actively inform customers about updates to the datasheet.

5 Device Summary, Pin and Packages

Table.5-1. Device Summary⁽¹⁾

Serial Name	Part Name	Package	Body Size (Nom)	Marking ⁽²⁾	MSL ⁽³⁾	Package Qty
GT8391	GT8391S5	SOT23-5	2.90mm×1.60mm×1.10mm	GT8391 XXXXX	3	Tape and Reel,3000
	GT8391C5	SC70-5	2.10mm×1.25mm×1.00mm	GT8391 XXXX	3	Tape and Reel,3000
	GT8391BS5	SOT23-5	2.90mm×1.60mm×1.10mm	GT8391B XXXXX	3	Tape and Reel,3000
	GT8391BC5	SC70-5	2.10mm×1.25mm×1.00mm	GT8391B XXXXX	3	Tape and Reel,3000
	GT8391M8	MSOP8	3.00mm×3.00mm×1.10mm	GT8391 XXXXXXXX	3	Tape and Reel,4000
	GT8391P8	SOP8	6.00mm×3.90mm×1.75mm	GT8391 XXXXXXXX	3	Tape and Reel,4000
GT8392	GT8392M8	MSOP8	3.00mm×3.00mm×1.10mm	GT8392 XXXXXXXX	3	Tape and Reel,4000
	GT8392P8	SOP8	6.00mm×3.90mm×1.75mm	GT8392 XXXXXXXX	3	Tape and Reel,4000
GT8394	GT8394PD	SOP14	8.65mm×3.90mm×1.75mm	GT8394 XXXXXXXX	3	Tape and Reel,4000
	GT8394TD	TSSOP14	5.00mm×4.40mm×1.20mm	GT8394 XXXXXXXX	3	Tape and Reel,4000

(1) For all available packages, please contact product sales.

(2) There may be additional marking, which relates to the lot trace code information (data code and vendor code), the logo or the environmental category on the device.

(3) MSL, The Moisture Sensitivity Level rating according to the JEDEC industry standard classifications.

(4) "XXXXX" in Marking will be appeared as the batch code.

5 Device Summary, Pin and Packages(Continued)

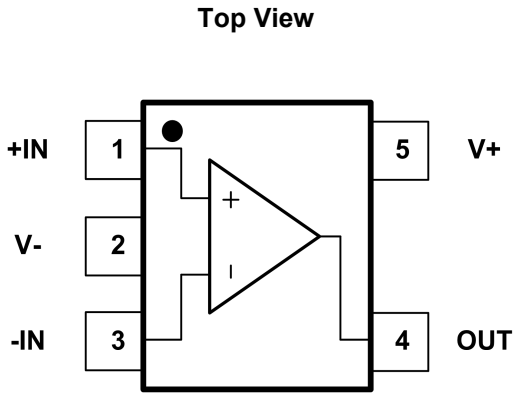


Fig.5-1. GT8391: C5 (SC70-5) Package
GT8391: S5 (SOT23-5) Package

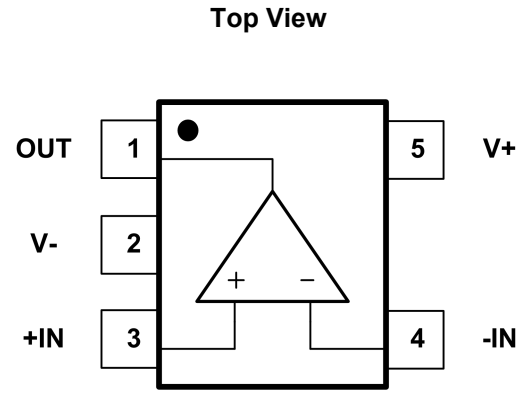


Fig.5-2. GT8391B: S5 (SOT23-5) Package
GT8391B: C5 (SC70-5) Package

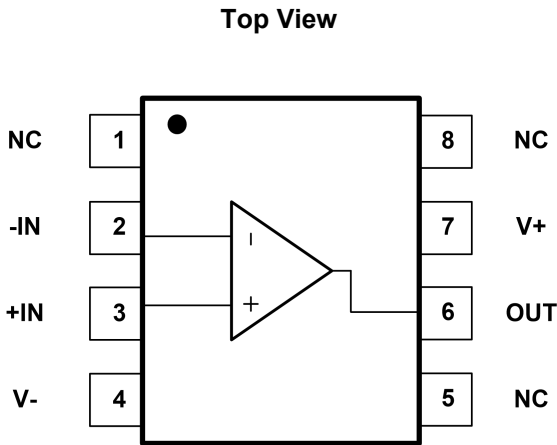
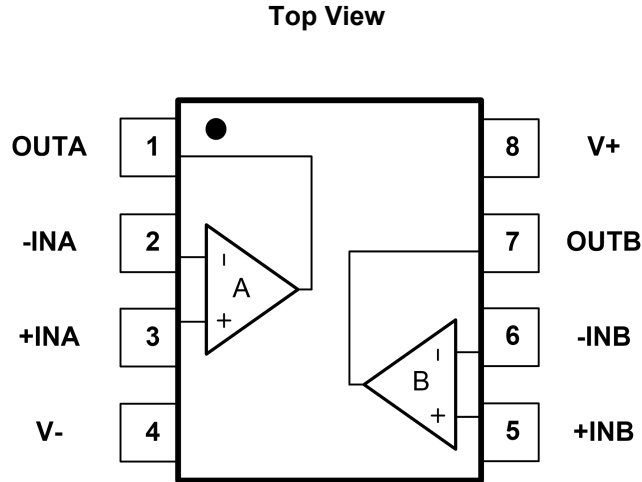


Fig.5-3. GT8391: M8 (MSOP8) Package
GT8391: P8 (SOP8) Package

Table.5-2. Pin Definition

Name	Pin			I/O	Description
	C5 S5	BS5	M8 P8		
-IN	3	4	2	I	Inverting input
+IN	1	3	3	I	Noninverting input
NC	-	-	1,5,8	-	No internal connection (can be left floating)
OUT	4	1	6	O	Output
V-	2	2	4	-	Negative (lowest) supply or ground (for single-supply operation)
V+	5	5	7	-	Positive (highest) supply

* It is suggested to leave the unconnected pins floating.

5 Device Summary, Pin and Packages(Continued)


**Fig.5-4. GT8392: M8(MSOP8) Package
GT8392: P8(SOP8) Package**

Table.5-3. Pin Definition

Pin		I/O	Description
Name	M8 P8		
-INA	2	I	Inverting input, channel A
+INA	3	I	Noninverting input, channel A
-INB	6	I	Inverting input, channel B
+INB	5	I	Noninverting input, channel B
OUTA	1	O	Output, channel A
OUTB	7	O	Output, channel B
V-	4	-	Negative (lowest) supply or ground (for single-supply operation)
V+	8	-	Positive (highest) supply

* It is suggested to leave the unconnected pins floating.

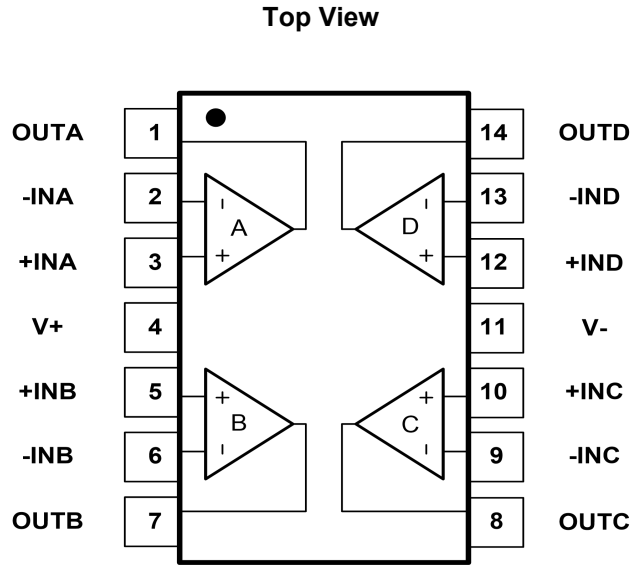
5 Device Summary, Pin and Packages(Continued)


Fig.5-5. GT824: TD (TSSOP14) Package
GT824: PD (SOP14) Package

Table.5-4. Pin Definition

Pin		I/O	Description
Name	PD TD		
-INA	2	I	Inverting input, channel A
+INA	3	I	Noninverting input, channel A
-INB	6	I	Inverting input, channel B
+INB	5	I	Noninverting input, channel B
-INC	9	I	Inverting input, channel C
+INC	10	I	Noninverting input, channel C
-IND	13	I	Inverting input, channel D
+IND	12	I	Noninverting input, channel D
OUTA	1	O	Output, channel A
OUTB	7	O	Output, channel B
OUTC	8	O	Output, channel C
OUTD	14	O	Output, channel D
V-	11	-	Negative (lowest) supply or ground (for single-supply operation)
V+	4	-	Positive (highest) supply

* It is suggested to leave the unconnected pins floating.

6 Voltage, Temperature, ESD and Thermal Ratings

6.1 Absolute Maximum Ratings⁽¹⁾

Parameters	Min.	Max.	Unit
Supply Voltage $V_S=(V^+)-(V^-)$		6.5	V
Select Input Voltage ⁽²⁾	$(V^-)-0.5$	$(V^+)+0.5$	V
Maximum Junction Temperature	-55	150	°C
Storage Temperature Range	-55	150	°C

(1) Stresses above these ratings may cause permanent damage. Exposure to absolute maximum conditions for extended periods may degrade device reliability. These are stress ratings only, and functional operation of the device at these or any other conditions beyond those specified is not implied.

(2) Input terminals are diode-clamped to the power-supply rails. Input signals that can swing more than 0.3V beyond the supply rails should be current-limited to 10mA or less.

6.2 ESD Ratings

ESD			Value	Unit
V(ESD)	Electrostatic discharge	Human-Body Model (HBM) ⁽¹⁾	6 K	V
		Charged-Device Model (CDM) ⁽²⁾	2 K	V

(1) JEDEC document JEP155 states that 500-V HBM allows safe manufacturing with a standard ESD control process.

(2) JEDEC document JEP157 states that 250-V CDM allows safe manufacturing with a standard ESD control process.

6.3 Recommended Operating Conditions

Over operating free-air temperature range (unless otherwise noted)

Symbol	Parameters	Min.	Max.	Unit
Supply voltage, $V_{CC}=(V^+)-(V^+)$	Single-supply	2.2	5.5	V
	Dual-supply	±1.1	±2.75	
TA	Operating temperature	-40	125	°C

6.4 Thermal Information

Package Type	θ_{JA}	θ_{JC}	Unit
SC70-5	400	150	°C/W
SOT23-5	250	81	°C/W
MSOP8	210	45	°C/W
SOP8	158	43	°C/W
TSSOP14	180	35	°C/W
SOP14	120	36	°C/W

7 Electrical Specifications

$V_{CC}=5.0V$, $V_{CM}=V_{CC}/2$, and $R_L=10K\Omega$, FULL= $-40^{\circ}C$ to $+125^{\circ}C$, Typical values are at $T_A=+25^{\circ}C$. (unless otherwise noted)

Parameters	Symbol	Conditions	Vcc	TA	Min.	Typ.	Max.	Unit
Offset Voltage								
Input Offset Voltage	V_{OS}		5V	$+25^{\circ}C$	-2	± 0.8	2	mV
Input Offset Voltage Average Drift	V_{OS} TC	$-40^{\circ}C$ to $+125^{\circ}C$	5V			± 1.3		$\mu V/^{\circ}C$
Power-supply Rejection Ratio	PSRR	$V_{CC}=2.2V$ to $5V$, $V_{CM}=(V-)+0.5V$		$+25^{\circ}C$	60	90		dB
				FULL	55			
Input Voltage Range								
Common-mode Voltage Range	V_{CM}		5.5V	$+25^{\circ}C$	-0.1		5.6	V
Common-mode Rejection Ratio	CMRR	$V_{CM}=0V$ to $4.1V$	5.5V	$+25^{\circ}C$	60	75		dB
				FULL	57			
		$V_{CM}=0V$ to $5.6V$	$+25^{\circ}C$	57	75			
			FULL	55				
Input Bias Current								
Input Bias Current	IB		5V	$+25^{\circ}C$		1		pA
Input Offset Current	IOS		5V	$+25^{\circ}C$		1		pA
NOISE								
Input Voltage Noise Density	e_n	$f=1kHz$	5V	$+25^{\circ}C$		19		nV/\sqrt{Hz}
		$f=10kHz$	5V	$+25^{\circ}C$		10		nV/\sqrt{Hz}
Open-loop Gain								
Open-loop Voltage Gain	AOL	$R_L=2K\Omega$, $V_O=0.15V$ to $4.85V$	5V	$+25^{\circ}C$	90	95		dB
				FULL	80			
		$R_L=10K\Omega$, $V_O=0.05V$ to $4.95V$	$+25^{\circ}C$	85	90			
			FULL	80				
Frequency Response								
Gain Bandwidth Product	GBW		5V	$+25^{\circ}C$		29		MHz
Phase Margin	PM		5V	$+25^{\circ}C$		60		$^{\circ}$
Slew Rate	SR		5V	$+25^{\circ}C$		12		$V/\mu s$
Overload Recovery Time	t_{OR}	V_{IN} Gain $\geq V_S$	5V	$+25^{\circ}C$		0.3		μs

7 Electrical Specifications (Continued)

V_{cc}=5.0V, V_{cm}=V_{cc}/2, and R_L=10KΩ, FULL= -40°C to +125°C, Typical values are at TA=+25°C. (unless otherwise noted)

Parameters	Symbol	Conditions	V _{cc}	TA	Min.	Typ.	Max.	Unit
Output								
Output Swing from Rail		R _L =2KΩ	5V	+25°C		20		mV
				FULL		30		
		R _L =10KΩ		+25°C		4		
				FULL		7		
Output Current	I _{out}		5V	+25°C		80		mA
				FULL		60		
Power Supply								
Quiescent Current/Amplifier	I _Q		5V	+25°C		1.8	2.1	mA

8 Typical Characteristics

$V_{CC}=5.0V$, $V_{cm}=V_{CC}/2$, and $R_L=10K\Omega$, FULL= $-40^{\circ}C$ to $+125^{\circ}C$, Typical values are at $T_A=+25^{\circ}C$. (unless otherwise noted)

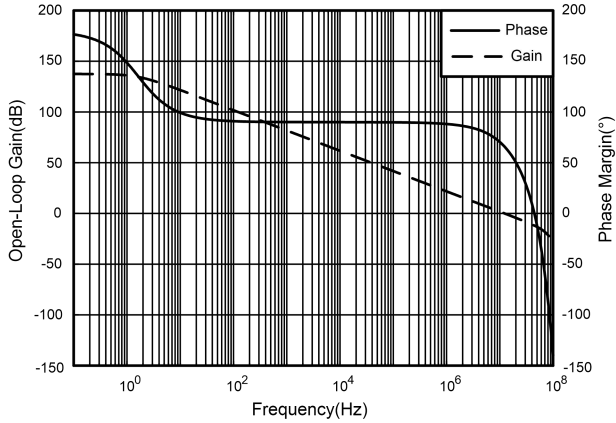


Fig.8-1. Open-Loop Gain and Phase vs Frequency

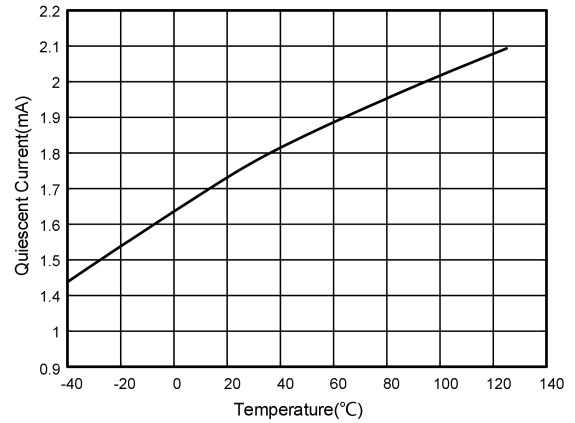


Fig.8-2. Quiescent Current vs Temperature

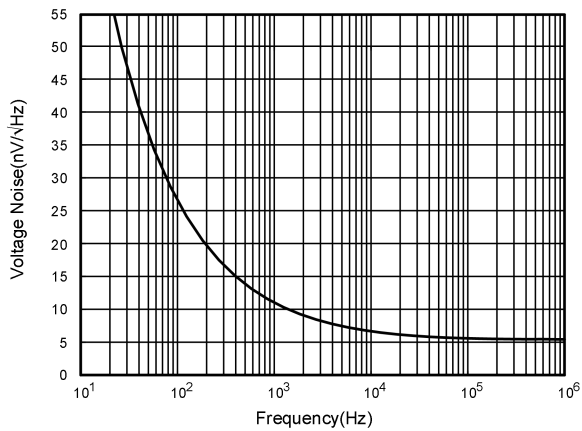


Fig.8-3. Voltage Noise vs Frequency

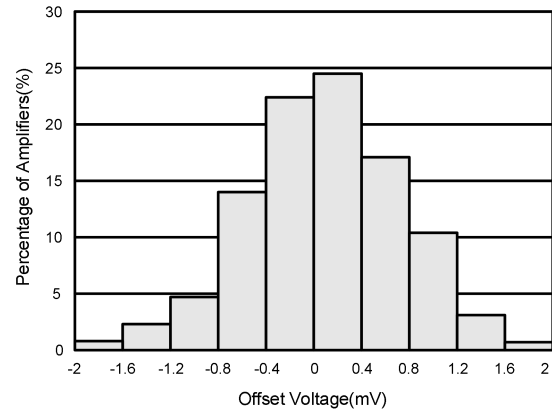


Fig.8-4. Offset Voltage Production Distribution

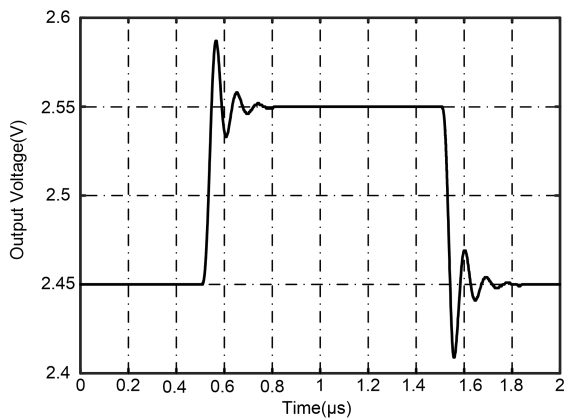


Fig.8-5. Small-Signal Step Response

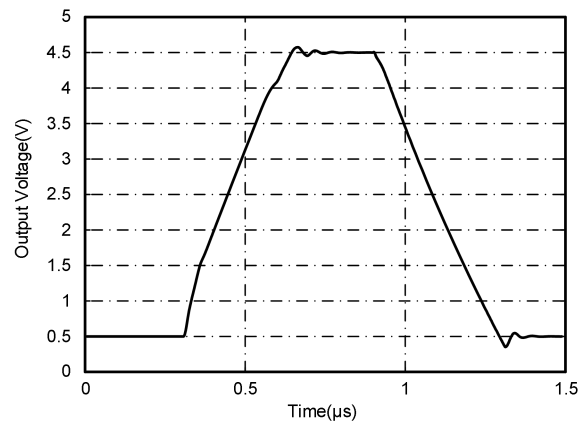


Fig.8-6. Large-Signal Step Response

9 Detailed Description

The GT839X families of products are rail-to-rail operational amplifiers that can be run from a single-supply voltage 2.2V to 5.5V ($\pm 1.1V$ to $\pm 2.75V$). Supply voltages higher than 6.5V (absolute maximum) can permanently damage the amplifier. Rail-to-rail input and output swing significantly increases dynamic range, especially in low-supply applications.

Attention to good layout practices is always recommended. Keep traces short. When possible, use a PCB ground plane with surface-mount components placed as close to the device pins as possible. Place a 0.1 μ F capacitor closely across the supply pins. These guidelines should be applied throughout the analog circuit to improve performance and provide benefits such as reducing the EMI susceptibility.

10 Application Note

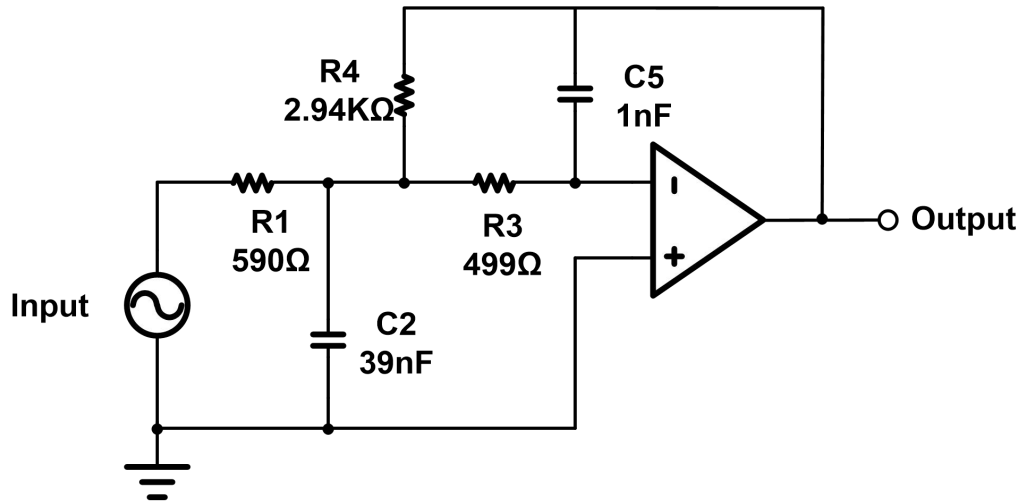


Fig.10-1. 25-kHz Low-pass Filter

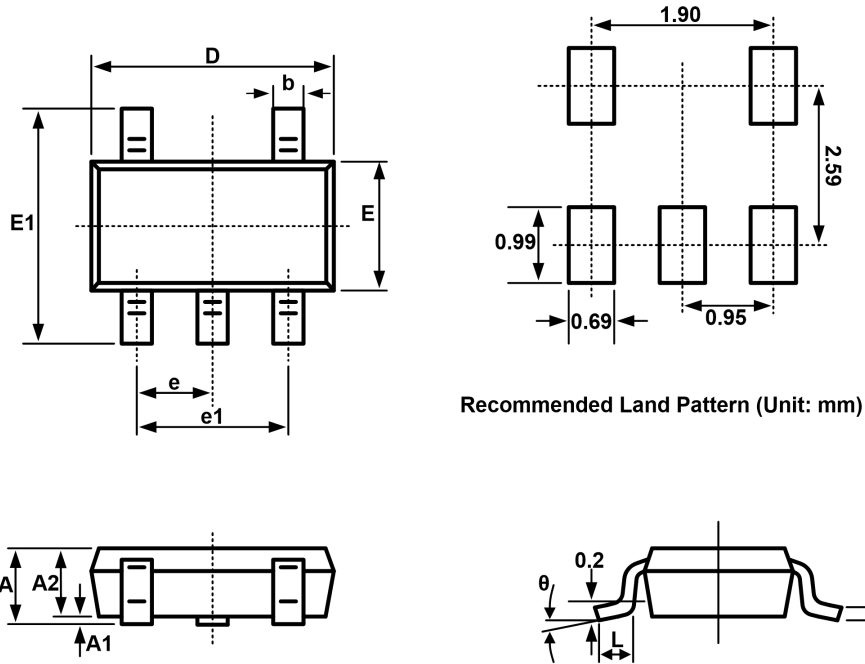
Low-pass filters are commonly employed in signal processing applications to reduce noise and prevent aliasing. The GT839X devices are ideally suited to construct high-speed, high-precision active filters. Fig.10-1 shows a second-order, low-pass filter commonly encountered in signal processing applications.

Use the following parameters for this design example:

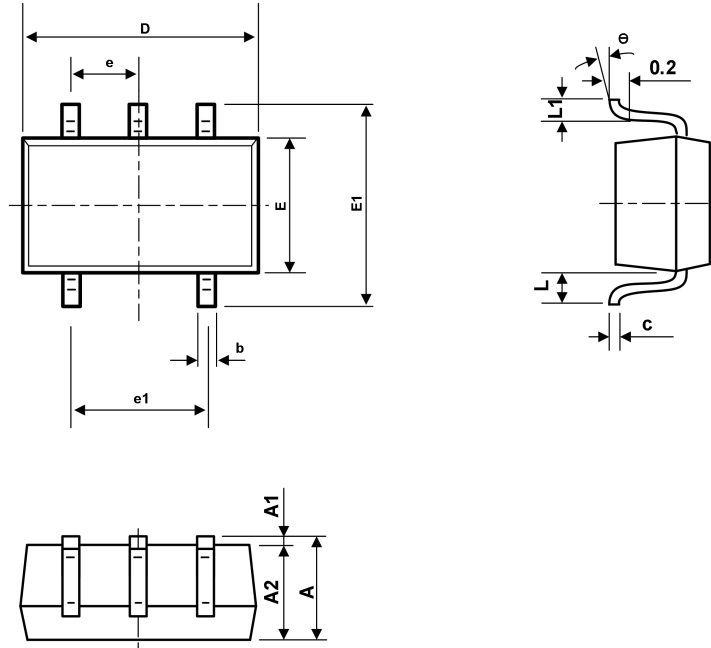
- Gain = $5V/V$ (inverting gain)
- Low-pass cutoff frequency = 25kHz
- Second-order Chebyshev filter response with 3-dB gain peaking in the passband

11 Package Outline Dimension

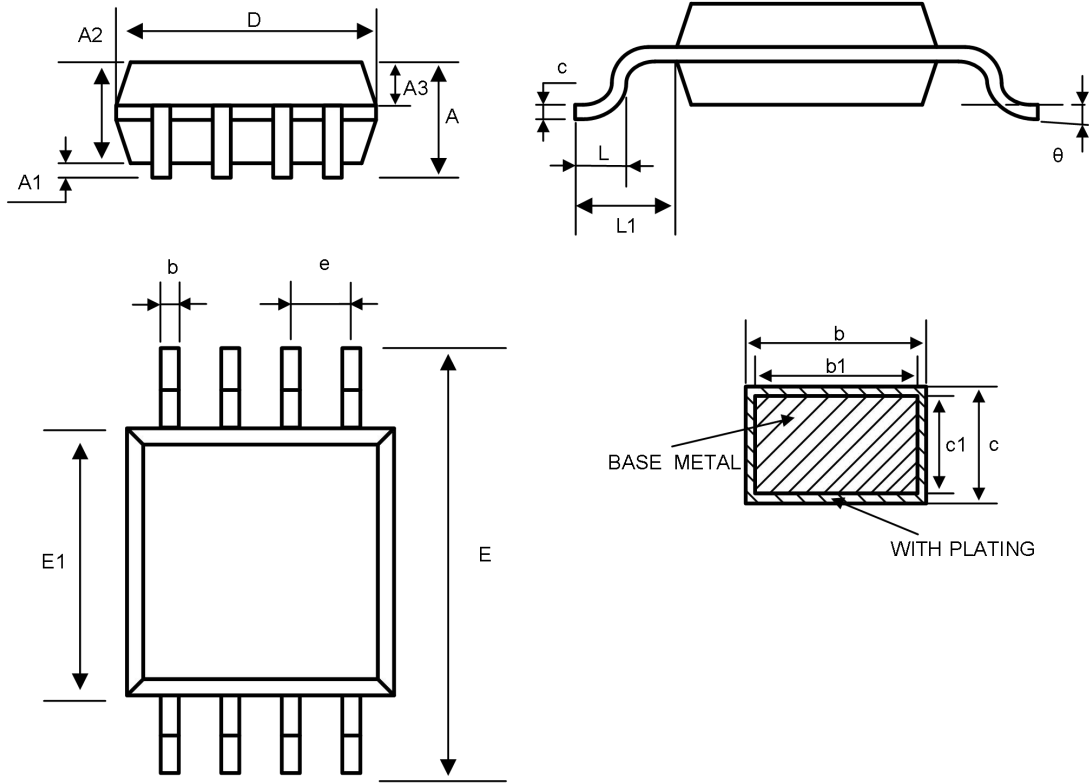
SOT23-5



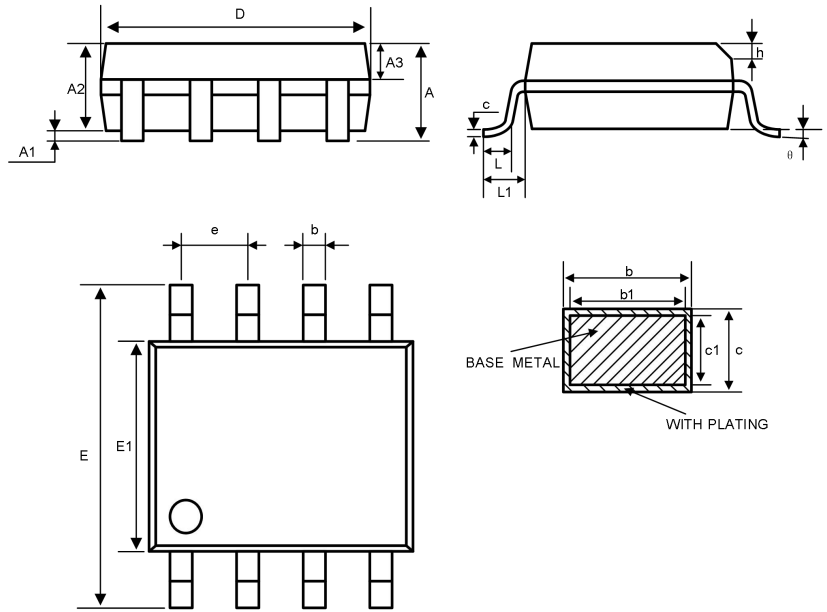
Symbol	Dimensions in Millimeters		Dimensions in Inches	
	Min.	Max.	Min.	Max.
A	1.050	1.250	0.041	0.049
A1	0.000	0.100	0.000	0.004
A2	1.050	1.150	0.041	0.045
b	0.300	0.500	0.012	0.020
c	0.100	0.200	0.004	0.008
D	2.820	3.020	0.111	0.119
E	1.500	1.700	0.059	0.067
E1	2.650	2.950	0.104	0.116
e	0.950(BSC)		0.037(BSC)	
e1	1.800	2.000	0.071	0.079
L	0.300	0.600	0.012	0.024
L1	0.600REF		0.024REF	
θ	0°	8°	0°	8°

11 Package Outline Dimension(Continued)
SC70-5


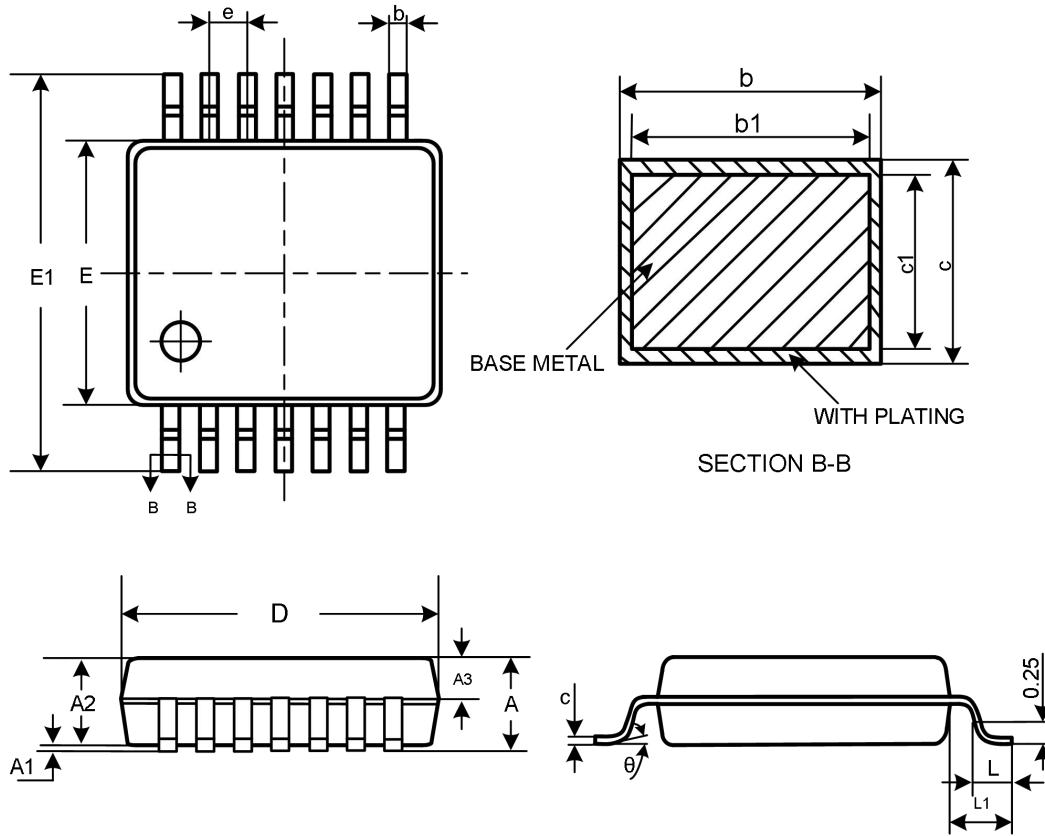
Symbol	Dimensions in Millimeters		Dimensions in Inches	
	Min.	Max.	Min.	Max.
A	0.900	1.100	0.035	0.043
A1	0.000	0.100	0.000	0.004
A2	0.900	1.000	0.035	0.039
b	0.150	0.350	0.006	0.014
c	0.110	0.175	0.004	0.007
D	2.000	2.200	0.079	0.087
E	1.150	1.350	0.045	0.053
E1	2.150	2.450	0.085	0.096
e	0.650TYP		0.026TYP	
e1	1.200	1.400	0.047	0.055
L	0.525REF		0.021REF	
L1	0.260	0.460	0.010	0.018
θ	0°	8°	0°	8°

11 Package Outline Dimension(Continued)
MSOP8


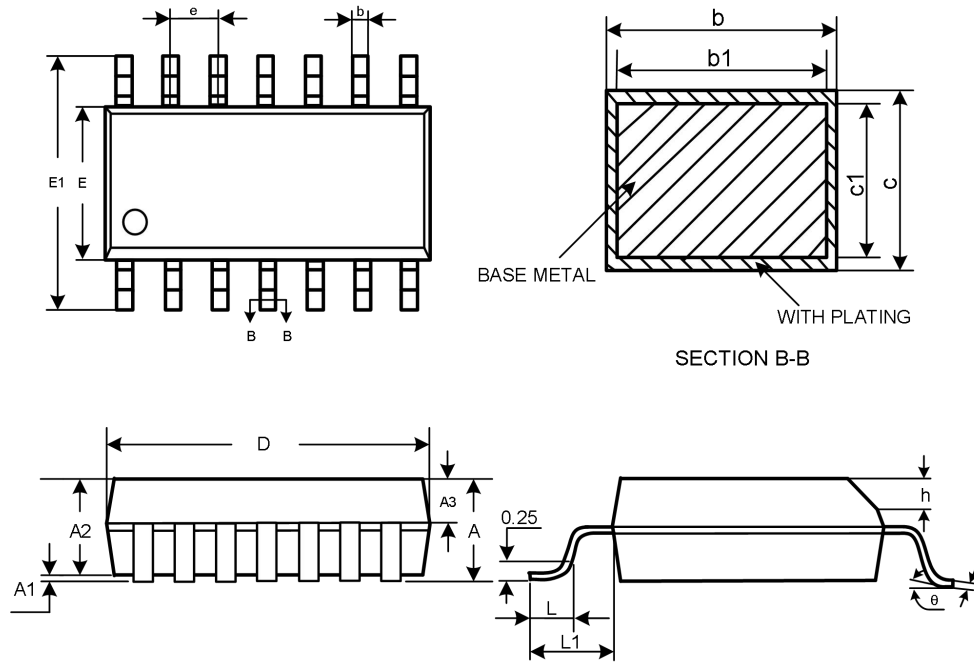
Symbol	Dimensions in Millimeters			Dimensions in Inches		
	Min.	Nom.	Max.	Min.	Nom.	Max.
A	—	—	1.10	—	—	0.043
A1	0.05	—	0.15	0.002	—	0.006
A2	0.75	0.85	0.95	0.030	0.033	0.037
A3	0.30	0.35	0.40	0.012	0.014	0.016
b	0.28	—	0.36	0.011	—	0.014
b1	0.27	0.30	0.33	0.011	0.012	0.013
c	0.15	—	0.19	0.006	—	0.007
c1	0.14	0.15	0.16	0.006	0.006	0.006
D	2.90	3.00	3.10	0.114	0.118	0.122
E	4.70	4.90	5.10	0.185	0.193	0.201
E1	2.90	3.00	3.10	0.114	0.118	0.122
e	0.65BSC			0.026BSC		
L	0.40	—	0.70	0.016	—	0.028
L1	0.95REF			0.037REF		
θ	0	—	8°	0	—	8°

11 Package Outline Dimension(Continued)
SOP8


Symbol	Dimensions in Millimeters			Dimensions in Inches		
	Min.	Nom.	Max.	Min.	Nom.	Max.
A	—	—	1.75	—	—	0.069
A1	0.10	—	0.225	0.004	—	0.009
A2	1.30	1.40	1.50	0.051	0.055	0.059
A3	0.60	0.65	0.70	0.024	0.026	0.028
b	0.39	—	0.47	0.015	—	0.019
b1	0.38	0.41	0.44	0.015	0.016	0.017
c	0.20	—	0.21	0.008	—	0.008
c1	4.80	4.90	5.00	0.189	0.193	0.197
D	5.80	6.00	6.20	0.228	0.236	0.244
E	5.80	6.00	6.20	0.228	0.236	0.244
E1	3.80	3.90	4.00	0.150	0.154	0.157
e	1.27BSC			0.05BSC		
h	0.25	—	0.50	0.010	—	0.020
L	0.50	—	0.80	0.020	—	0.031
L1	1.05REF			0.041REF		
θ	0	—	8°	0	—	8°

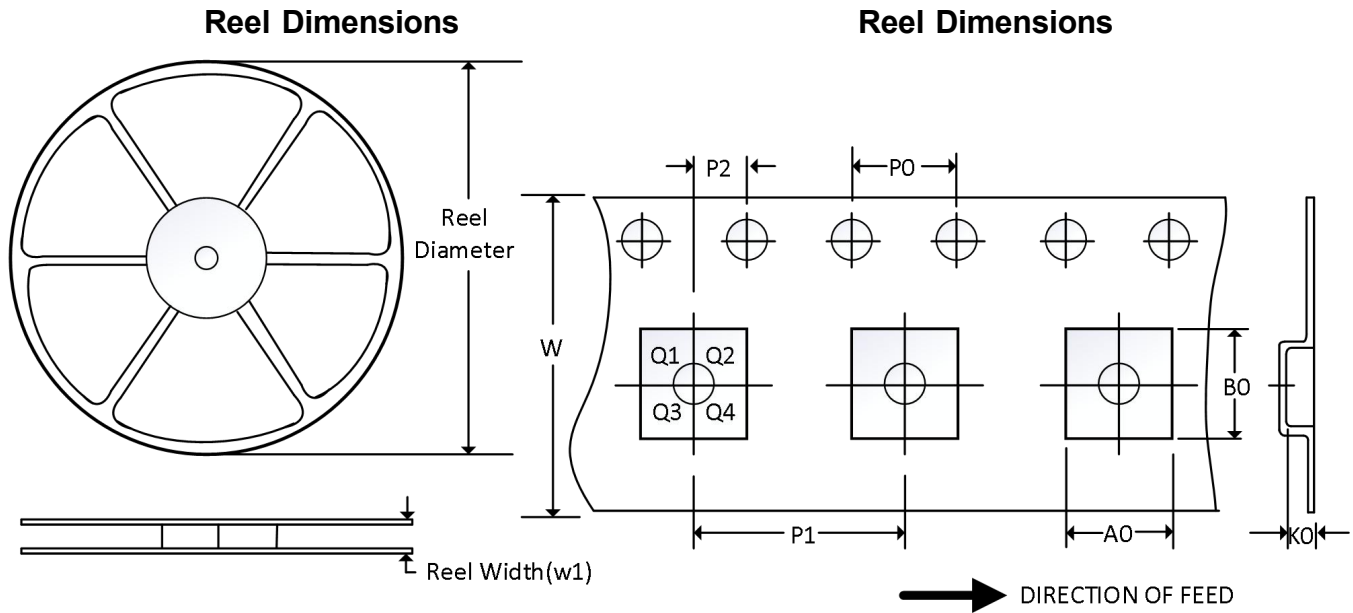
11 Package Outline Dimension(Continued)
TSSOP14


SYMBOL	Dimensions in Millimeters			Dimensions in Inches		
	Min.	Nom.	Max.	Min.	Nom.	Max.
A	—	—	1.20	—	—	0.047
A1	0.05	—	0.15	0.002	—	0.006
A2	0.90	1.00	1.05	0.035	0.039	0.041
A3	0.39	0.44	0.49	0.015	0.017	0.019
b	0.20	—	0.28	0.008	—	0.011
b1	0.19	0.22	0.25	0.007	0.009	0.010
c	0.13	—	0.17	0.005	—	0.007
c1	0.12	0.13	0.14	0.005	0.005	0.006
D	4.90	5.00	5.10	0.193	0.197	0.201
E	4.30	4.40	4.50	0.169	0.173	0.177
E1	6.20	6.40	6.60	0.244	0.252	0.260
e	0.65BSC			0.026BSC		
L	0.45	0.60	0.75	0.018	0.024	0.030
L1	1.00BCS			0.039BSC		
θ	0	—	8°	0	—	8°

11 Package Outline Dimension(Continued)
SOP14


SYMBOL	Dimensions in Millimeters			Dimensions in Inches		
	Min.	Nom.	Max.	Min.	Nom.	Max.
A	—	—	1.75	—	—	0.069
A1	0.10	—	0.225	0.004	—	0.009
A2	1.30	1.40	1.50	0.051	0.055	0.059
A3	0.60	0.65	0.70	0.024	0.026	0.028
b	0.39	—	0.47	0.015	—	0.019
b1	0.38	0.41	0.44	0.015	0.016	0.017
c	0.20	—	0.24	0.20	—	0.24
c1	0.19	0.20	0.21	0.007	0.008	0.008
D	8.55	8.65	8.75	0.337	0.341	0.344
E1	5.80	6.00	6.20	0.228	0.236	0.244
E	3.80	3.90	4.00	0.150	0.154	0.157
e	1.27BSC			0.05BSC		
h	0.25	—	0.50	0.010	—	0.020
L	0.50	—	0.80	0.020	—	0.031
L1	1.05REF			0.041REF		
θ	0	—	8°	0	—	8°

12 Tape and Reel Information



NOTE: The picture is only for reference. Please make the object as the standard.

Key Parameter List of Tape and Reel

Package Type	Reel Diameter	Reel Width (mm)	A0 (mm)	B0 (mm)	K0 (mm)	P0 (mm)	P1 (mm)	P2 (mm)	W (mm)	Pin1 Quadrant
SC70-5	7"	9.5	2.25	2.55	1.20	4.0	4.0	2.0	8.0	Q3
SOT23-5	7"	9.5	3.20	3.20	1.40	4.0	4.0	2.0	8.0	Q3
MSOP8	13"	12.4	5.20	3.30	1.50	4.0	8.0	2.0	12.0	Q1
SOP8	13"	12.4	6.40	5.40	2.10	4.0	8.0	2.0	12.0	Q1
TSSOP14	13"	12.4	6.95	5.60	1.20	4.0	8.0	2.0	12.0	Q1
SOP14	13"	16.4	6.60	9.30	2.10	4.0	8.0	2.0	16.0	Q1

NOTE:

1. All dimensions are nominal.
2. Plastic or metal protrusions of 0.15mm maximum per side are not included.