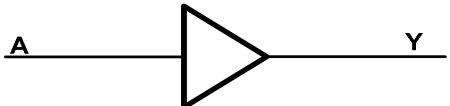


GT74LVC1G34

Single Buffer Gate

1 Features	2 Application
<ul style="list-style-type: none"> - Low Power Consumption, 10-μA Max I_{CC} - Supports 5 V V_{CC} Operation - Inputs Accept Voltages to 5.5 V - Max t_{pd} of 3.3 ns at 3.3 V - ± 24-mA Output Drive at 3.3 V - I_{off} Supports Partial-Power-Down Mode - Typical $V_{OHV} > 2$ V at $V_{CC} = 3.3$ V, $T_A = 25^\circ\text{C}$ - Typical $V_{OLP} < 0.8$ V at $V_{CC} = 3.3$ V, $T_A = 25^\circ\text{C}$ 	<ul style="list-style-type: none"> - AV Receivers - Audio Docks: Portable - Blu-ray Players and Home Theater - Embedded PC - MP3 Player/Recorder (Portable Audio) - Personal Digital Assistant (PDA) - Power: Telecom/Server AC/DC Supply - Solid State Drive (SSD): Client and Enterprise - TV: LCD/Digital and High-Definition (HDTV) - Tablet: Enterprise - Video Analytics: Server - Wireless Headset, Keyboard, and Mouse

3 Description	Circuit Diagram
<p>The operating voltage range of the single buffer gate is 1.65 V to 5.5 V.</p> <p>The GT74LVC1G34 device contains one buffer and performs the Boolean function $Y=A$. The CMOS device has high output drive while maintaining low static power dissipation over a broad VCC operating range.</p> <p>This device is fully specified for partial-power-down applications using I_{off}. The I_{off} circuitry disables the outputs, preventing damaging current backflow through the device when it is powered down.</p>	

4 Revision History

Revision	Date	Note
Rev. A1.0	2023. 08. 31	Original Version
Rev. A1.1	2023. 10. 24	1.Updated Package Qty 2.Added Tape and Reel Information 3. Added Application Note
Rev. A1.2	2023. 12. 26	1.Added Marking 2.Added MSL
Rev. A1.3	2024. 01. 26	Updated Part Name

The latest datasheet version should be checked on the GTIC official website, as the company does not actively inform customers about updates to the datasheet.

5 Device Summary, Pin and Packages

Table 5-1. Device Summary⁽¹⁾

Serial Name	Part Name	Package	Body Size (Nom)	Marking ⁽²⁾	MSL ⁽³⁾	Package Qty
GT74LVC1G34	GT74LVC1G34S5	SOT23-5	2.90mm×1.60mm×1.10mm	1G34 XXXXX	3	Tape and Reel 3000
	GT74LVC1G34C5	SC70-5	2.10mm×1.25mm×1.00mm	1G34 XXXXX	3	Tape and Reel 3000

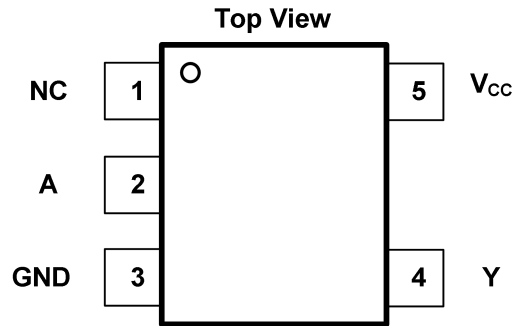
(1) For all available packages, please contact product sales.

(2) There may be additional marking, which relates to the lot trace code information (data code and vendor code), the logo or the environmental category on the device.

(3) MSL, The Moisture Sensitivity Level rating according to the JEDEC industry standard classifications.

(4) "XXXXX" in Marking will be appeared as the batch code.

5 Device Summary, Pin and Packages(Continued)



**Fig.5-1. GT74LVC1G34: S5 (SOT23-5) Package
GT74LVC1G34: C5 (SC70-5) Package**

Table 5-2 Pin Definition

Pin		Pin	Description
Name	S5 C5		
NC	1	—	No internal connection
A	2	I	Input
GND	3	—	Ground
Y	4	O	Output
V _{CC}	5	—	Positive Supply

6 Voltage, Temperature, ESD and Thermal Ratings

6.1 Absolute Maximum Ratings

Parameters		Min	Max.	Unit
V_{CC}	Supply voltage range	-0.5	6.5	V
V_I	Input voltage range	-0.5	6.5	V
V_O	Voltage range applied to any output in the high-impedance or power-off state	-0.5	6.5	V
V_O	Voltage range applied to any output in the high or low state	-0.5	$V_{CC}+0.5$	V
I_{IK}	Input clamp current		-50	mA
	$V_I < 0$			
I_{OK}	Output clamp current		-50	mA
	$V_O < 0$			
I_O	Continuous output current		± 50	mA
	Continuous current through V_{CC} or GND		± 100	mA
T_J	Junction temperature under bias		150	$^{\circ}\text{C}$
T_{stg}	Storage temperature range	-65	150	$^{\circ}\text{C}$

(1) Stresses beyond those listed under Absolute Maximum Ratings may cause permanent damage to the device. These are stress ratings only, and functional operation of the device at these or any other conditions beyond those indicated under Recommended Operating Conditions is not implied. Exposure to absolute-maximum-rated conditions for extended periods may affect device reliability.

(2) The input negative-voltage and output voltage ratings may be exceeded if the input and output current ratings are observed.

6.2 ESD Ratings

ESD		Value	Unit
$V(\text{ESD})$	Electrostatic discharge	Human-body model (HBM)	4 K
		Charge device model (CDM)	2 K

(1) JEDEC document JEP155 states that 500-V HBM allows safe manufacturing with a standard ESD control process.

(2) JEDEC document JEP157 states that 250-V CDM allows safe manufacturing with a standard ESD control process.

6 Voltage, Temperature, ESD and Thermal Ratings(Continued)

6.3 Recommended Operating Conditions

Over operating free-air temperature range (unless otherwise noted)

Symbol	Parameter	Min	Max	Unit
V_{CC}	Supply voltage	1.65	5.5	V
V_I	Input voltage	0	5.5	V
V_O	Output voltage	0	V_{CC}	V
I_{OH}	High-level output current	$V_{CC}=1.65V$	-4	mA
		$V_{CC}=2.3V$	-8	
		$V_{CC}=3V$	-16	
		$V_{CC}=4.5V$	-24	
I_{OL}	Low-level output current	$V_{CC}=1.65V$	4	mA
		$V_{CC}=2.3V$	8	
		$V_{CC}=3V$	16	
		$V_{CC}=4.5V$	24	
T_A	Operating free-air temperature	-40	125	°C

6.4 Thermal Information

Package Type	θ_{JA}	θ_{JC}	Unit
SOT23-5	250	81	°C/W
SC70-5	400	150	°C/W

7 Electrical Specifications

V_{CC}=5.0V or 3.3V, FULL=-40°C to +125°C, Typical values are at T_A=+25°C. (unless otherwise noted)

Parameter	Test Conditions	V _{CC}	-40°C to 85°C			-40°C to 125°C			Unit
			Min	Typ	Max	Min	Typ	Max	
V _{OH}	I _{OH} =-100 μA	1.65 V to 5.5 V	V _{CC} -0.1			V _{CC} -0.1			V
	I _{OH} =-4 mA	1.65 V	1.2			1.2			
	I _{OH} =-8 mA	2.3 V	1.9			1.9			
	I _{OH} =-16 mA	3 V	2.4			2.4			
	I _{OH} =-24 mA		2.3			2.3			
	I _{OH} =-32 mA	4.5 V	3.8			3.8			
V _{OL}	I _{OL} =100 μA	1.65 V to 5.5 V			0.1			0.1	V
	I _{OL} =4 mA	1.65 V			0.45			0.45	
	I _{OL} =8 mA	2.3 V			0.3			0.3	
	I _{OL} =16 mA	3 V			0.4			0.4	
	I _{OL} =24 mA				0.55			0.55	
	I _{OL} =32 mA	4.5 V			0.55			0.55	
I _I	A input	V _I =5.5 V or GND			±5			±5	μA
I _{off}		V _I or V _O =5.5 V			±10			±10	μA
I _{CC}		V _I =5.5 V or GND, I _O =0			10			10	μA
ΔI _{CC}		One input at V _{CC} -0.6 V, Other inputs at V _{CC} or GND			500			500	μA
C _i		V _I =V _{CC} or GND		5			5		pF

(1) All unused digital inputs of the device must be held at V_{CC} or GND to ensure proper device operation

7 Electrical Specifications (Continued)

V_{CC}=5.0V or 3.3V, FULL=-40°C to +125°C, Typical values are at T_A=+25°C. (unless otherwise noted)

Parameter	From (Input)	To (Output)	-40°C to 125°C								Unit
			V _{CC} =1.8 V ± 0.15 V		V _{CC} =2.5 V ± 0.2 V		V _{CC} =3.3 V ± 0.3 V		V _{CC} =5 V ± 0.5 V		
			Min	Max	Min	Max	Min	Max	Min	Max	
t _{pd}	A	Y	3.9	9.5	1.4	4.5	1	3.3	1	3.0	ns

T_A=25°C

Parameter		Test Conditions	V _{CC} =1.8 V	V _{CC} =2.5 V	V _{CC} =3.3 V	V _{CC} =5 V	Unit
			Typ	Typ	Typ	Typ	
C _{pd}	Power dissipation capacitance	f=10 MHz	17	28	33	47	pF

8 Typical Characteristics

Over recommended operating free-air temperature range, $C_L=30$ pF or 50 pF (unless otherwise noted).

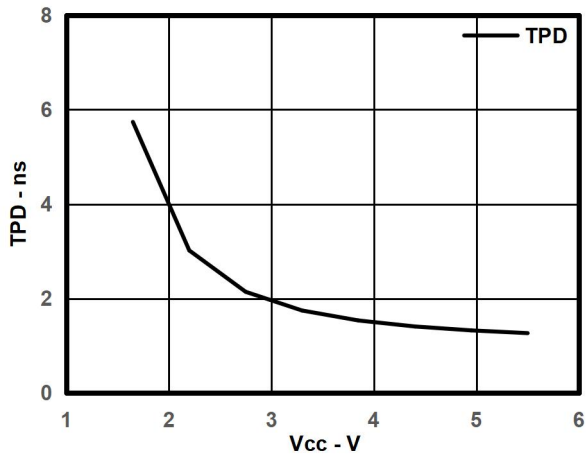


Fig.8-1. Typical Tpd vs Vcc

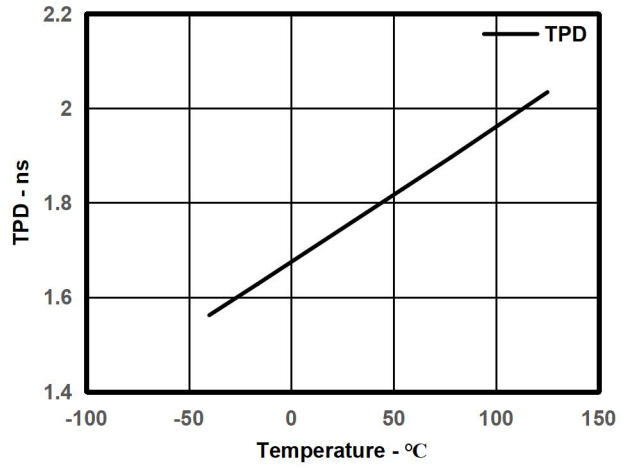
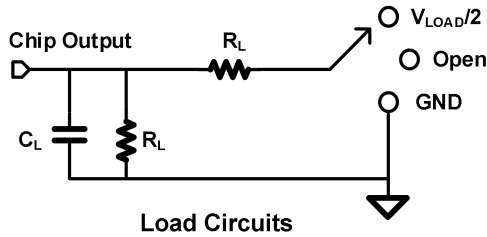


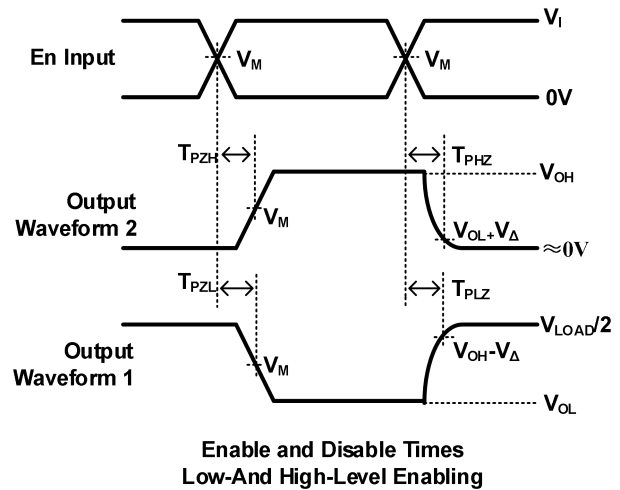
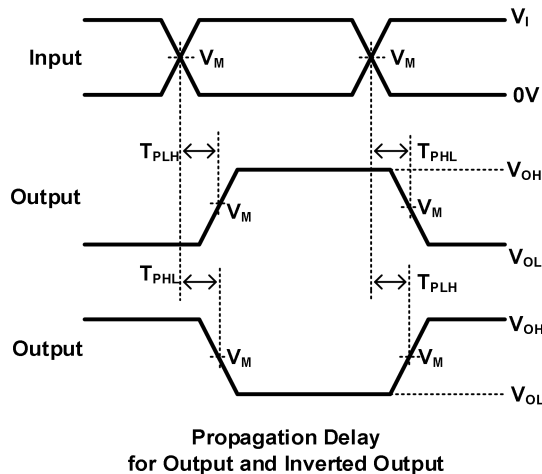
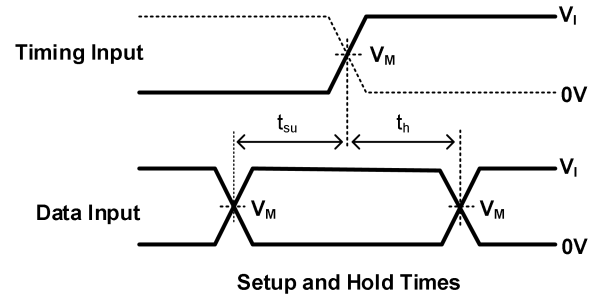
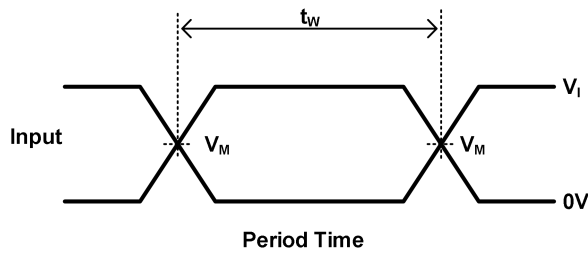
Fig.8-2. Typical Tpd vs Temp

9 Parameter Measurement Information



TEST	S1
T_{PHL}/T_{PLH}	OPEN
T_{PLZ}/T_{PZL}	V_{LOAD}
T_{PHZ}/T_{PZH}	GND

V_{CC}	INPUTS		V_M	V_{LOAD}	C_L	R_L	V_{Δ}
	V_i	T_r/T_f					
1.8V±0.15V	V_{CC}	≤2ns	$V_{CC}/2$	$2 \times V_{CC}$	30pF	1kΩ	0.15V
2.5V±0.15V	V_{CC}	≤2ns	$V_{CC}/2$	$2 \times V_{CC}$	30pF	500Ω	0.15V
3.3V±0.15V	3V	≤2.5ns	1.5V	6V	50pF	500Ω	0.3V
5V±0.15V	V_{CC}	≤2.5ns	$V_{CC}/2$	$2 \times V_{CC}$	50pF	500Ω	0.3V



Notes: A. C_L includes probe and jig capacitance.

B. Waveform 1 is for an output with internal conditions such that the output is low, except when disabled by the output control. Waveform 2 is for an output with internal conditions such that the output is high, except when disabled by the output control.

C. All input pulses are supplied by generators having the following characteristics: PRR 10 MHz, Z = 50.

D. The outputs are measured one at a time, with one transition per measurement.

E. t_{PLZ} and t_{PHZ} are the same as t_{dis} .

F. t_{PZL} and t_{PZH} are the same as t_{en} .

G. t_{PLH} and t_{PHL} are the same as t_{pd} .

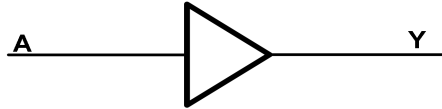
H. All parameters and waveforms are not applicable to all device.

10 Detailed Description

10.1 Overview

This device is fully specified for partial-power-down applications using I_{off} . The I_{off} circuitry disables the outputs, preventing damaging current back flow through the device when it is powered down.

10.2 Functional Block Diagram



10.3 Feature Description

The GT74LVC1G34 device contains one buffer gate device and performs the Boolean function $Y = A$. This device is fully specified for partial-power-down applications using I_{off} . The I_{off} circuitry disables the outputs, preventing damaging current backflow through the device when it is powered down.

10.4 Device Functional Modes

Table 10-1 Function Table

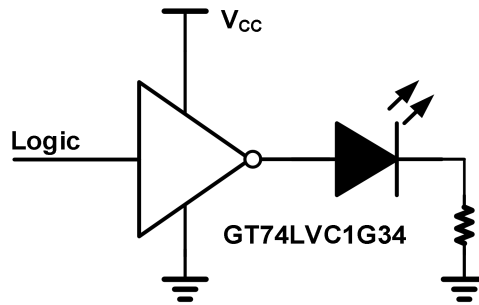
Input A	Output Y
H	H
L	L

11 Application Note

11.1 Application Information

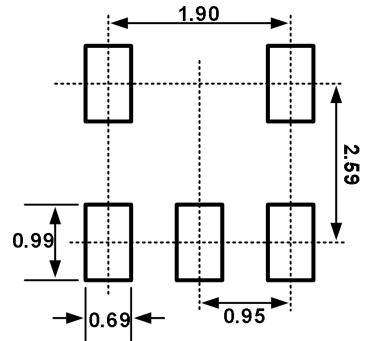
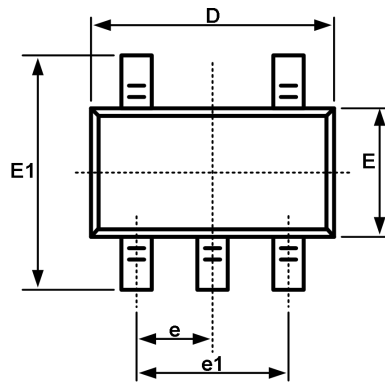
The GT74LVC1G34 is a high drive CMOS device that can be used for implementing inversion logic with a high output drive, such as an LED application. It can produce 24 mA of drive current at 3.3 V making it ideal for driving multiple outputs and good for high-speed applications up to 100 MHz. The inputs are 5.5 V tolerant allowing it to translate down to V_{CC} .

11.2 Typical Application

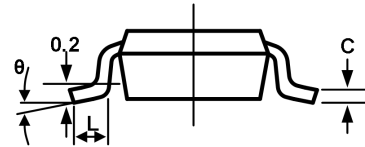
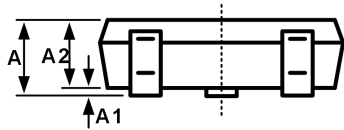


12 Package Outline Dimension

SOT23-5



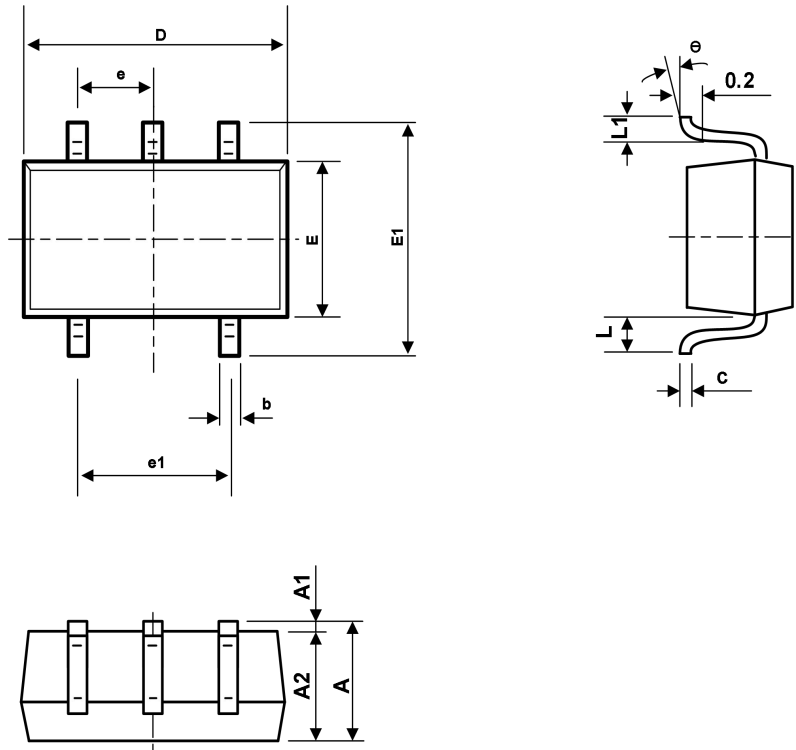
Recommended Land Pattern (Unit: mm)



Symbol	Dimensions In Millimeters		Dimensions In Inches	
	Min	Max	Min	Max
A	1.050	1.250	0.041	0.049
A1	0.000	0.100	0.000	0.004
A2	1.050	1.150	0.041	0.045
b	0.300	0.500	0.012	0.020
c	0.100	0.200	0.004	0.008
D	2.820	3.020	0.111	0.119
E	1.500	1.700	0.059	0.067
E1	2.650	2.950	0.104	0.116
e	0.950BSC		0.037BSC	
e1	1.800	2.000	0.071	0.079
L	0.300	0.600	0.012	0.024
L1	0.600REF		0.024REF	
θ	0°	8°	0°	8°

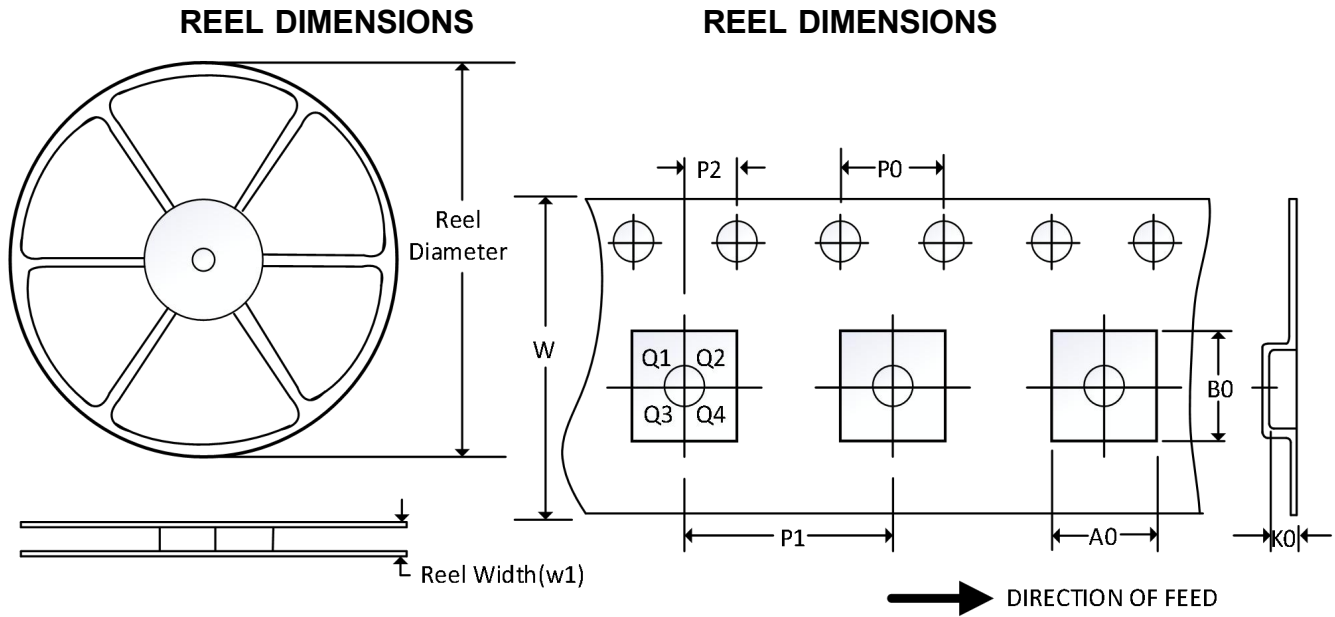
12 Package Outline Dimension(Continued)

SC70-5



symbol	Dimension In Millimeters		Dimensions In Inches	
	Min	Max	Min	Max
A	0.900	1.100	0.035	0.043
A1	0.000	0.100	0.000	0.004
A2	0.900	1.000	0.035	0.039
b	0.150	0.350	0.006	0.014
c	0.110	0.175	0.004	0.007
D	2.000	2.200	0.079	0.087
E	1.150	1.350	0.045	0.053
E1	2.150	2.450	0.085	0.096
e	0.650TYP		0.026TYP	
e1	1.200	1.400	0.047	0.055
L	0.525REF		0.021REF	
L1	0.260	0.460	0.010	0.018
e	0°	8°	0°	8°

13 TAPE AND REEL INFORMATION



NOTE: The picture is only for reference. Please make the object as the standard.

KEY PARAMETER LIST OF TAPE AND REEL

Package Type	Reel Diameter	Reel Width(mm)	A0 (mm)	B0 (mm)	K0 (mm)	P0 (mm)	P1 (mm)	P2 (mm)	W (mm)	Pin1 Quadrant
SOT23-5	7"	9.5	3.20	3.20	1.40	4.0	4.0	2.0	8.0	Q3
SC70-5	7"	9.5	2.25	2.55	1.20	4.0	4.0	2.0	8.0	Q3

NOTE:

1. All dimensions are nominal.
2. Plastic or metal protrusions of 0.15mm maximum per side are not included.